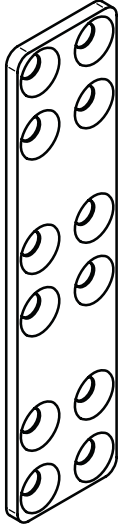




# BT7025 COLLAR ADAPTOR KIT PARTS LIST

PLEASE KEEP THIS PARTS LIST FOR FUTURE REFERENCE

**SYSTEM 2™**  
COMPATIBLE



## PARTS LIST

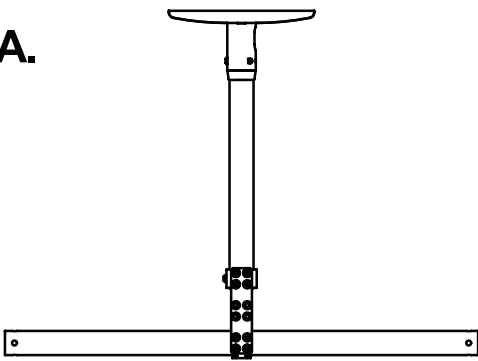
No	PART NAME	QTY
1	COLLAR ADAPTOR PLATE	1
2	M8 X 12 CSK CROSS HEAD SCREW	12

## TYPICAL INSTALLATIONS

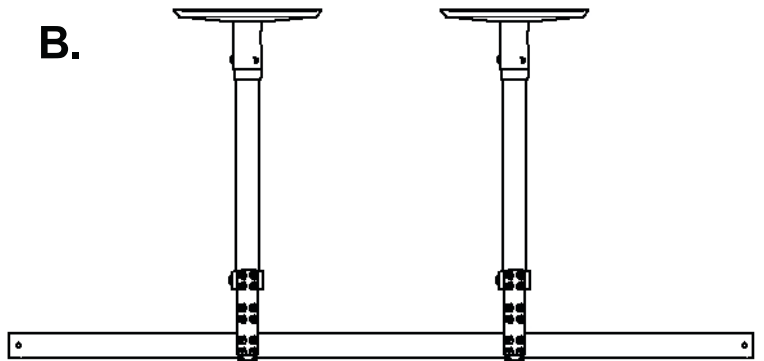
The BT7025 can be used to build a pole structure capable of holding AV equipment in a variety of configurations. Some examples are shown below.

The example structures are shown using a B-Tech ceiling mount. This can be substituted for a B-Tech wall arm / floor stand / trolley.

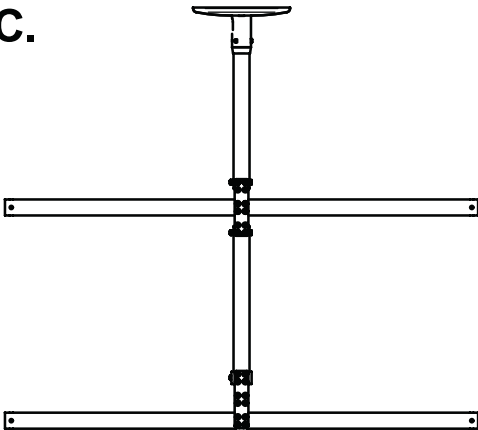
**A.**



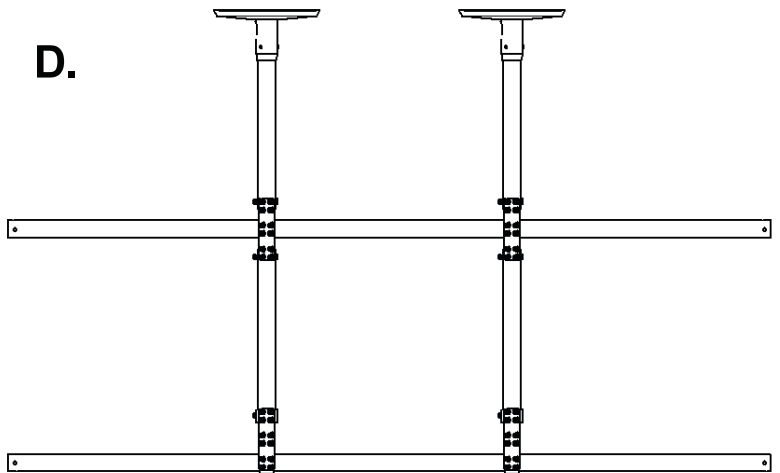
**B.**



**C.**



**D.**

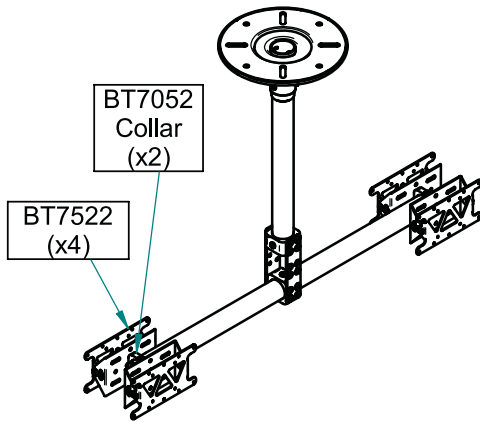


Do not exceed the weight limit of the mount/s used to support the pole structure.

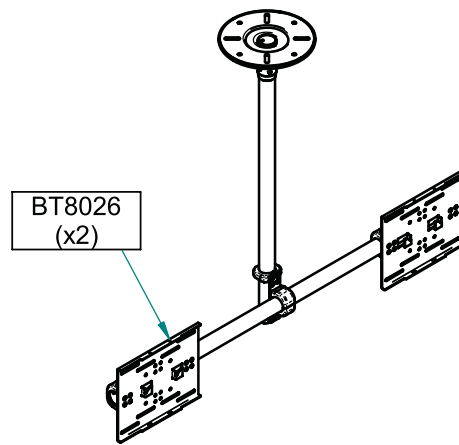
## Attaching Mounts To A Pole Structure.

A variety of B-Tech mounts can be used with the pole structure to suit any installation. Two examples are shown below:

1. Four BT7522's mounted back to back on a horizontal pole.



2. Two BT8026's mounted on a horizontal pole.



### IMPORTANT





As B-Tech International has no control over how this product is used, it is important that installers ensure the structure is strong enough before attaching AV equipment. The structure must be counterbalanced at both ends of the horizontal pole.

## CONFIGURATIONS

There are many different ways of mounting B-Tech extension poles horizontally on vertical poles using the BT7025 adaptor plate.

The example configurations shown use the B-Tech 50mm (2") System 2 range of extension poles and collars. Either the B-Tech 50mm (2") or 60mm systems can be used.

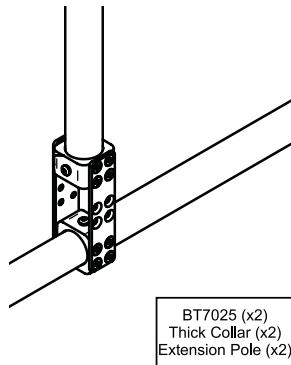
Thick collars can be used where thin collars are shown in these examples. The collar covers cannot always be used (depending on the configuration).

	Thin Collar	Thick Collar
50mm (2")	BT7052 	BT7051 
60mm	BT7260 	BT7060 

### A. In line 'T' configuration.

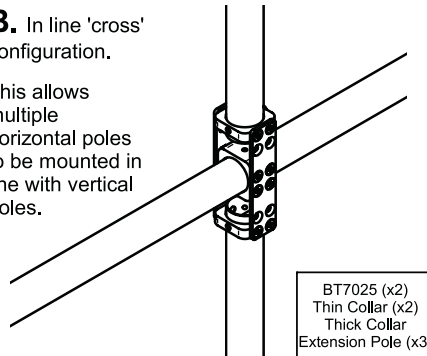
The horizontal pole can only be mounted at the end of the vertical pole.

Please note: Thick collars must be used for this configuration.



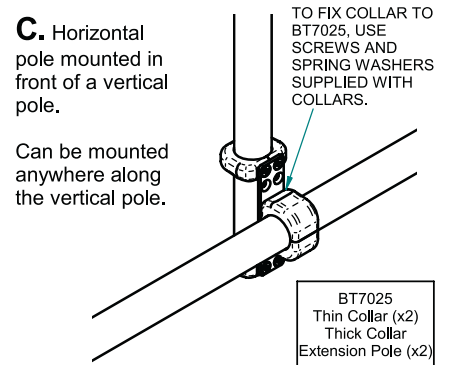
### B. In line 'cross' configuration.

This allows multiple horizontal poles to be mounted in line with vertical poles.



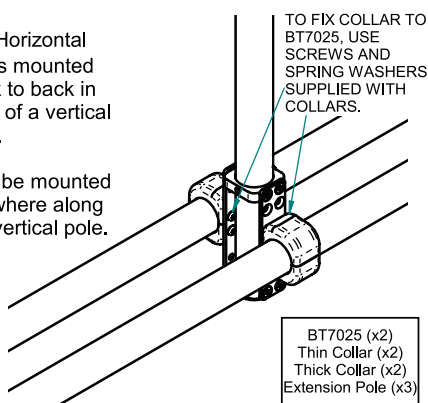
### C. Horizontal pole mounted in front of a vertical pole.

Can be mounted anywhere along the vertical pole.



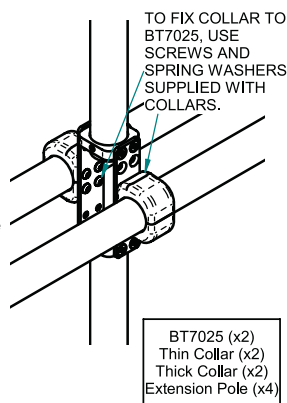
### D. Horizontal poles mounted back to back in front of a vertical pole.

Can be mounted anywhere along the vertical pole.



### E. Horizontal poles mounted back to back on the front of two in line vertical poles.

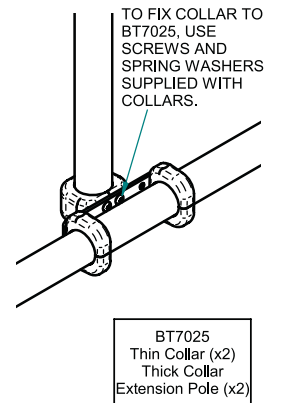
The horizontal poles can only be mounted at the end of the vertical pole.



### F. Horizontal pole mounted in front of a vertical pole.

Can be mounted anywhere along the vertical pole.

This is an alternative to configuration 'C'. It can also be mounted back to back as an alternative to configuration 'D'.



## B-TECH AUDIO VIDEO MOUNTS

HEAD OFFICE

B-Tech International Limited

Bennett House, Long March, Daventry, Northants., NN11 4NR, UK

Email: [info@btechavmounts.co.uk](mailto:info@btechavmounts.co.uk)

[www.btechavmounts.com](http://www.btechavmounts.com)

© 2014 B-Tech International Limited. All rights reserved.

B-Tech Audio Video Mounts is a division of B-Tech International Limited. B-Tech, Better By Design & Mountlogic are registered trademarks of B-Tech International Limited. All other brands and product names are trademarks of their respective owners. Photographs are for illustrative purposes only. E&OE.